



aura

design: ALESSANDRO PEDRETTI
(STUDIO ROTA & PARTNER)

Housing/cover: in die-cast aluminium.

Diffuser: pressed, in plexiglass.

Coating: in several stages. The first stage includes a grey epoxy cationic electro coating, resistant to corrosion and saline environments. Then it is coated with an eco-friendly, UV-stabilised acrylic resin primer.

Standard supply: complete with socket-plug. Safety diode to protect against voltage peaks compliant with EN 61547. With dedicated electronic device to protect the LED module.



Poles and arm in painted galvanized aluminium.

Designed with a hole for the insertion of the power supply cable, with mast-top mounting of $\varnothing 60$ cm for arm acc. 513 or 532

With inspection window, complete with 4-pole/3-way removable 10 mm² terminal block and 2.5 mm² shunt, with 16A fuse

The version with base requires the purchase of 4 long bolts, nuts and caps to be buried for ground installation.

NOTE: before selecting the appropriate pole, make all necessary wind pressure resistance tests, pursuant to the Standards or Legislative Decrees in force in the countries where the pole will be mounted.



Aura Accessories

acc. 1441 - Steel cone-shaped to be buried for acc. 513/532

colour	code								
s. silver	425266-00	3600	3100	500	1100	186	45	$\varnothing 116$	$\varnothing 60$
graphite	425267-00	3600	3100						

acc. 1440 - Steel cone-shaped with base acc. 513/532

colour	code							
s. silver	425276-00	3100	1100	186	45	$\varnothing 116$	$\varnothing 60$	$\varnothing 320$ 22x30
graphite	425277-00	3100						

acc. 513 arm for pole

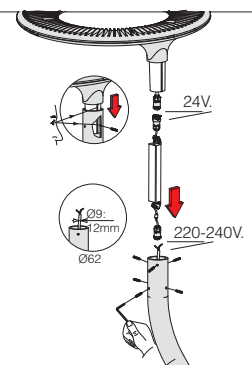
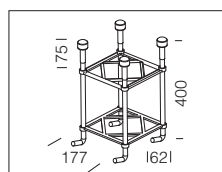
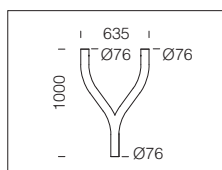
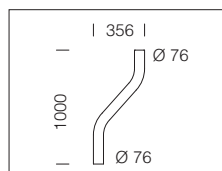
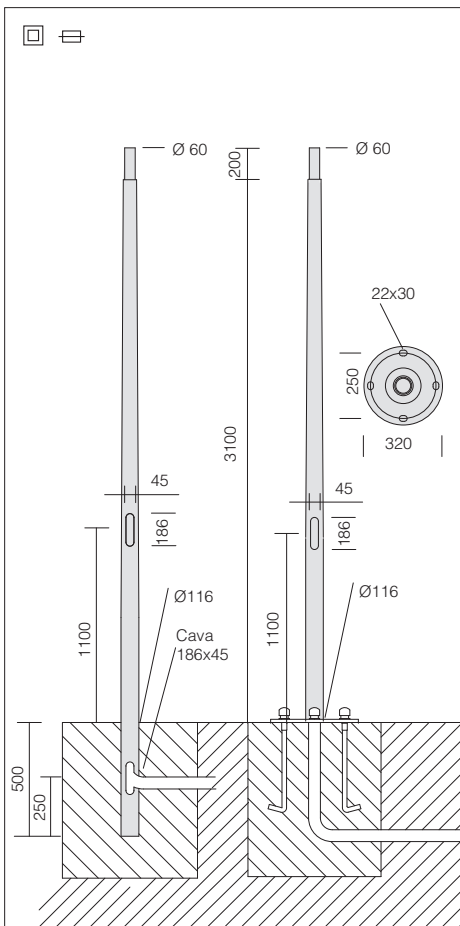
s. silver	991290-00
graphite	991291-00
arm for Aura pole acc. 1440-1441.	

acc. 532 double arm for pole

s. silver	991292-00
graphite	991293-00
arm for Aura pole acc. 1440-1441.	

acc. 299 Long bolts

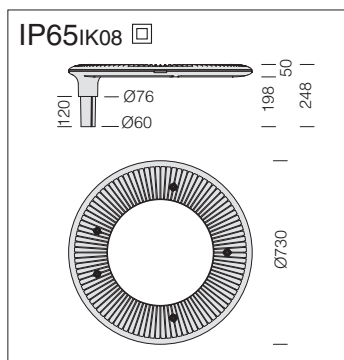
991396-00
Long bolts should always be purchased with pole 1477/1440.



The electric gear, complete with plug for connection to mains supply, is supplied with the product.

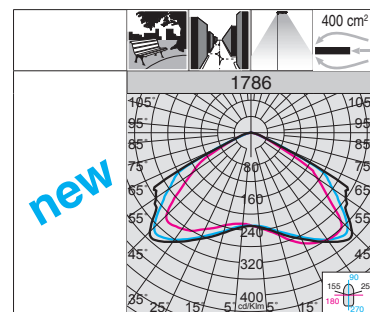
To be inserted inside the arm **acc 513** or **532**.

To be used **only** and always with conical pole **acc 1440-1**



LED: Power factor ≥ 0.9 .
Luminous flux maintenance
70%: 60000h (L70B20)

Optics: Combined optical system
made in PMMA.



1786 Aura					
		CLD CELL			LED (T _j =25°C)
wattage (700mA)	colour	weight	code	W	K - ølm 700mA
LED	s. silver	8.50	423270-00	70	4000K - 10188lm
LED	graphite	8.50	423271-00		

On request: possibility for the various options for managing the supply point (see table on p. XVII).